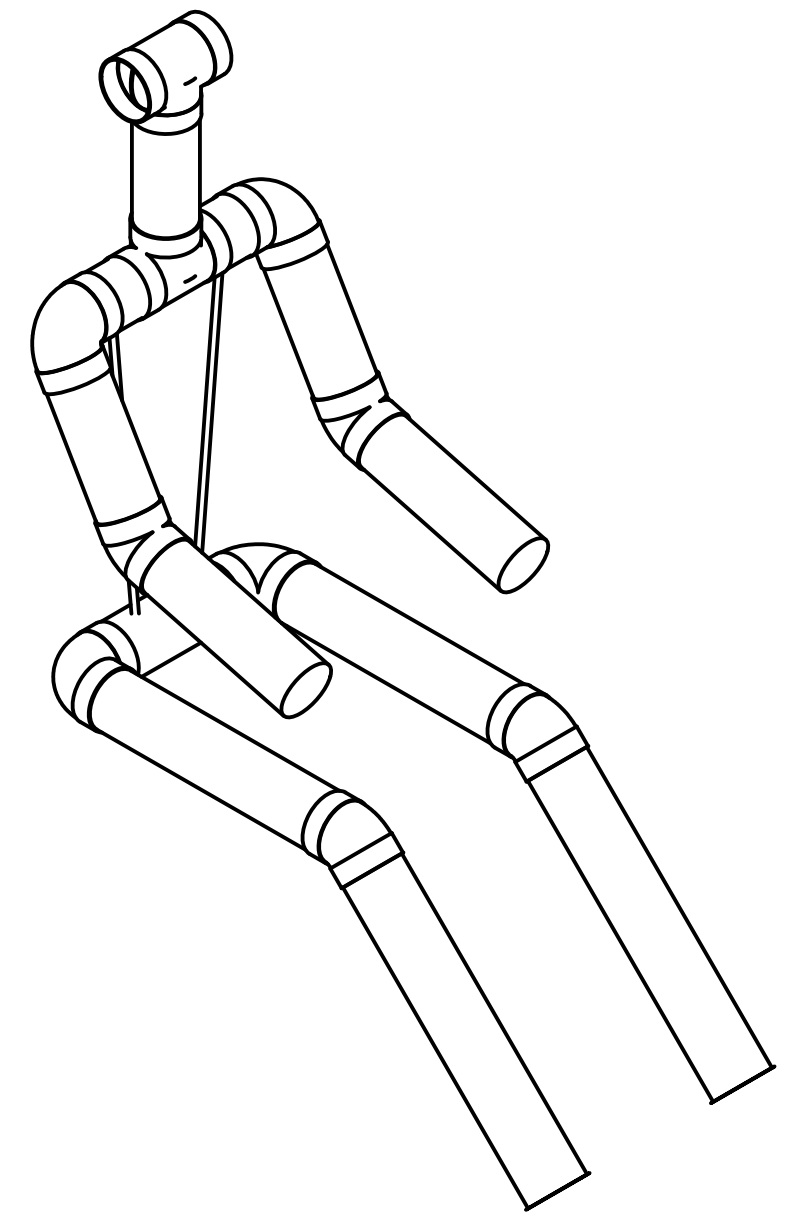
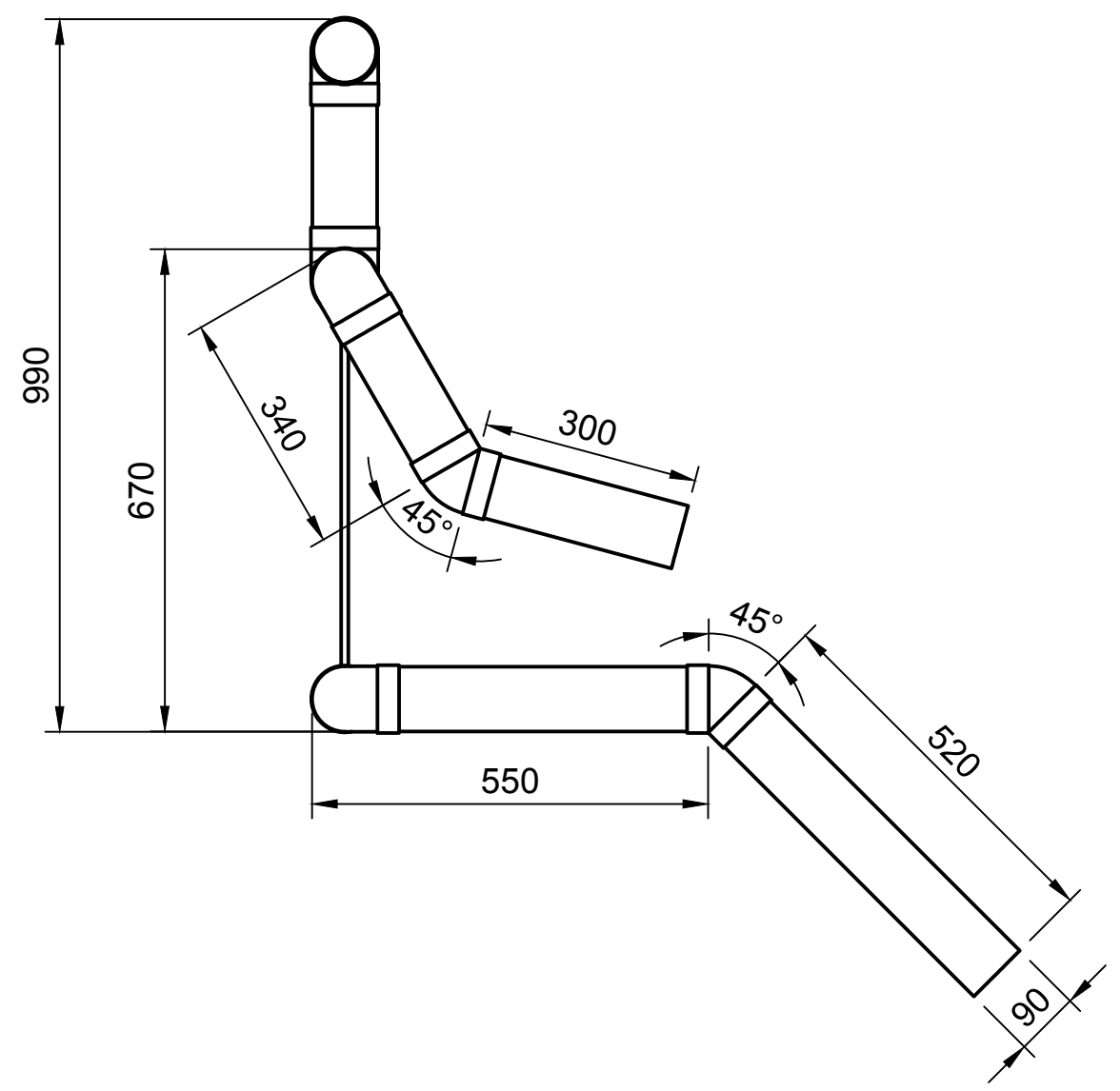
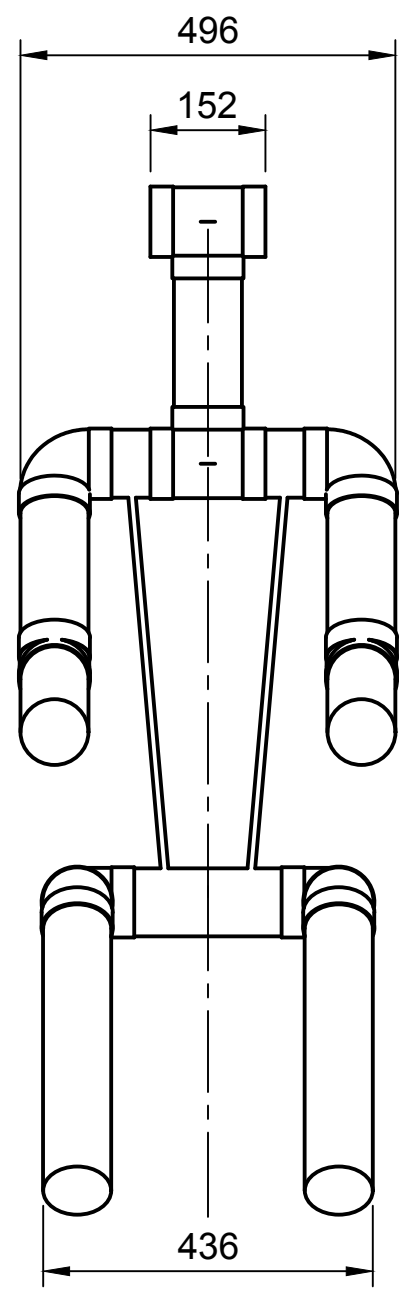


PVC Pat



The manikin is formed from 90 mm PVC rainwater pipe with four 90° elbows, four 45° elbows and two tee fittings.

Dimensions are millimetres.

The manikin has bilateral symmetry.

Neck and arms rotate about the shoulder pipe.

Legs rotate about the hip pipe.

Dimensions not shown are not critical.